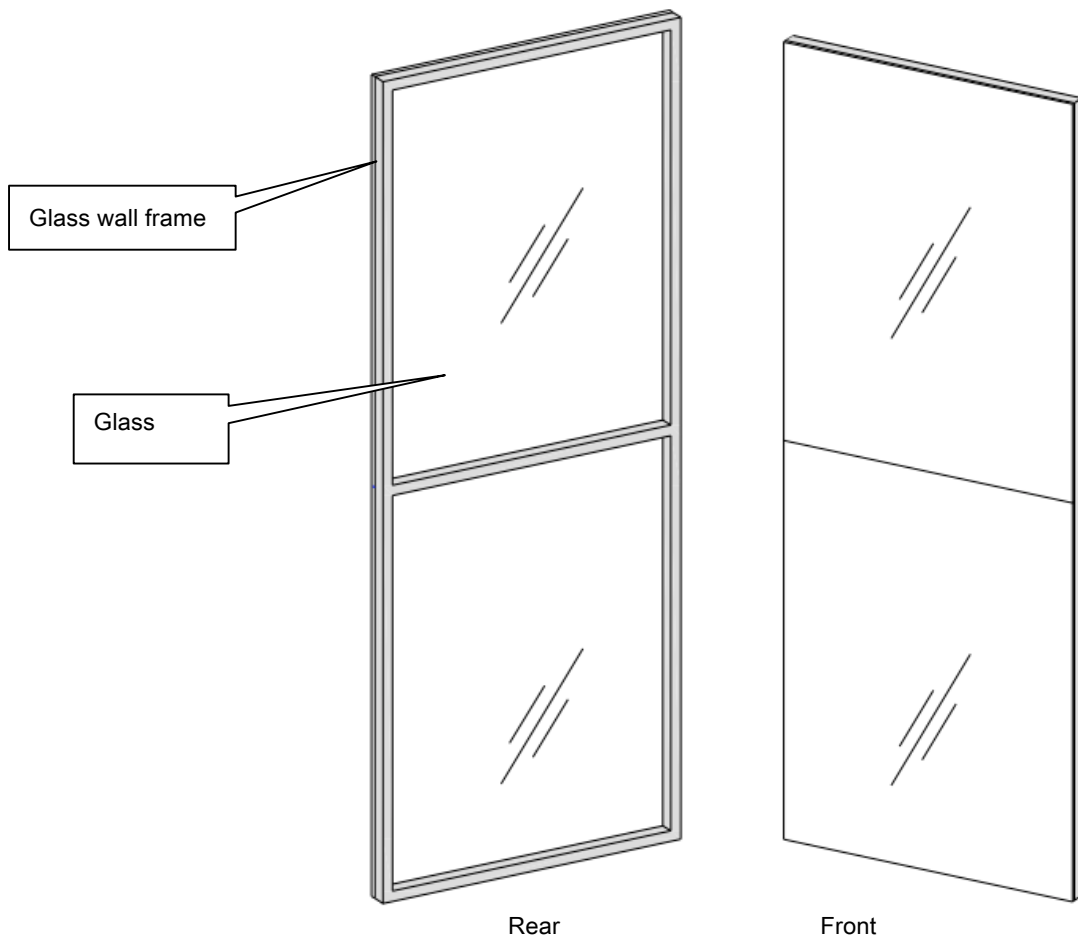


Glass Wall Screen Installation Manual

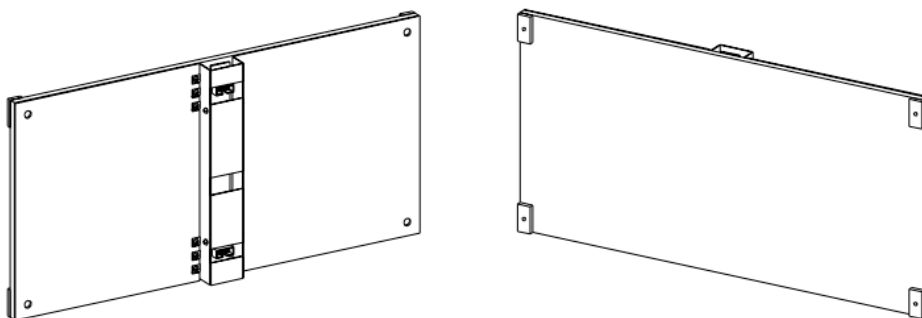
Content

1. Installation I: Stick LED Module on Glass Wall with UV Glue
2. Installation II: Lock LED Module on Glass Wall Frame Seamlessly
3. Installation III: Lock LED Module to the Glass Wall Frame, Keeping
Module Back Flush with the Frame.
4. Installation IV: Lock LED Module on Spider Claws of Glass Wall
5. Customized LED Module Size
6. Install LED Module on Curve Glass Wall

1.InstallationI : Stick the LED module on the glass wall directly



Glass wall before installing led module

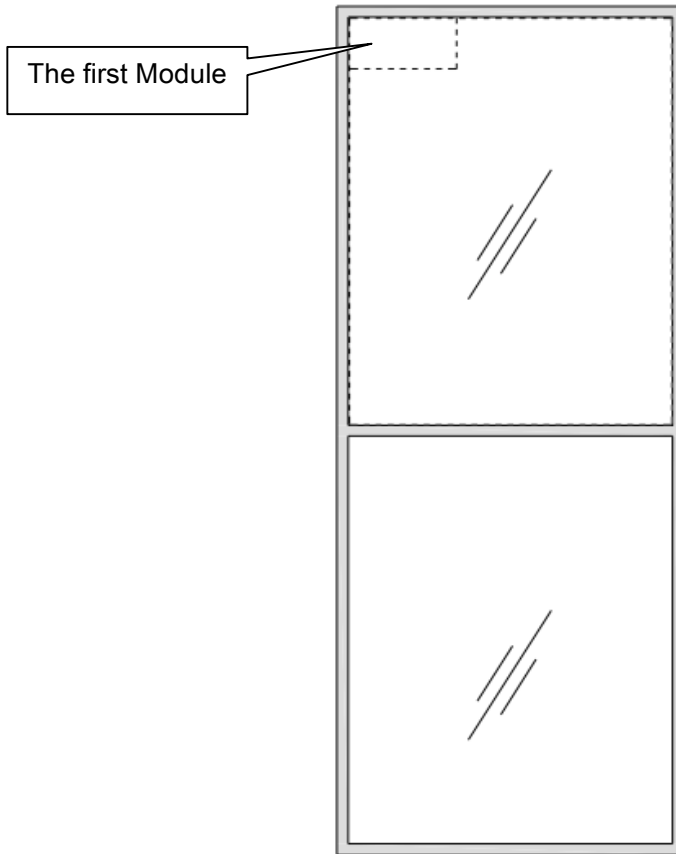


LED Module

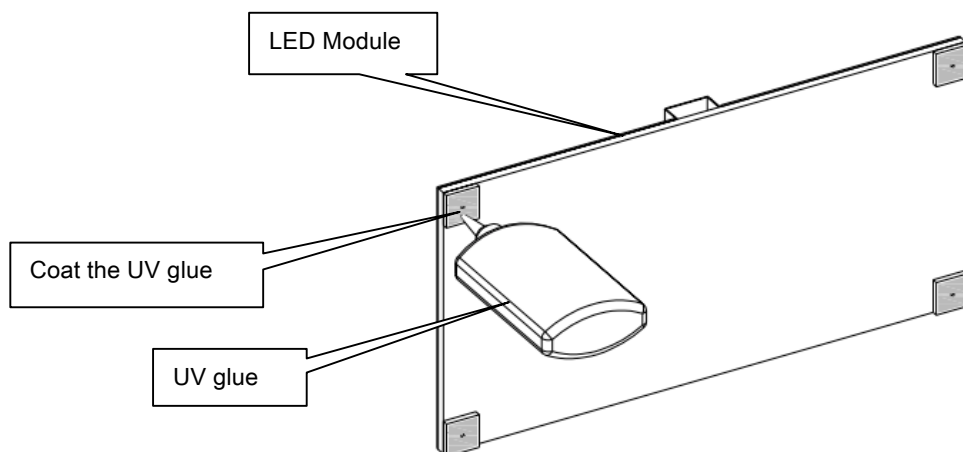
Installation Sequence

Step1. Clear the glass where the led module will be installed. (Note: Clear any dust or water)

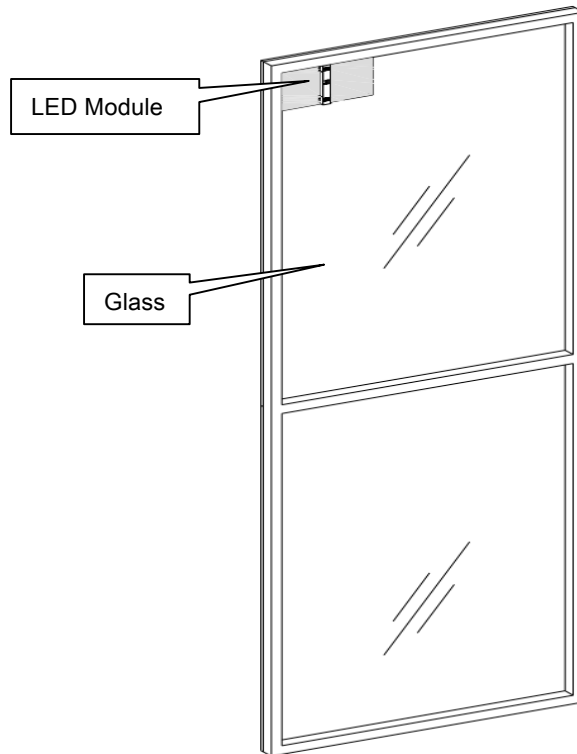
Step2. Position LED module on glass wall



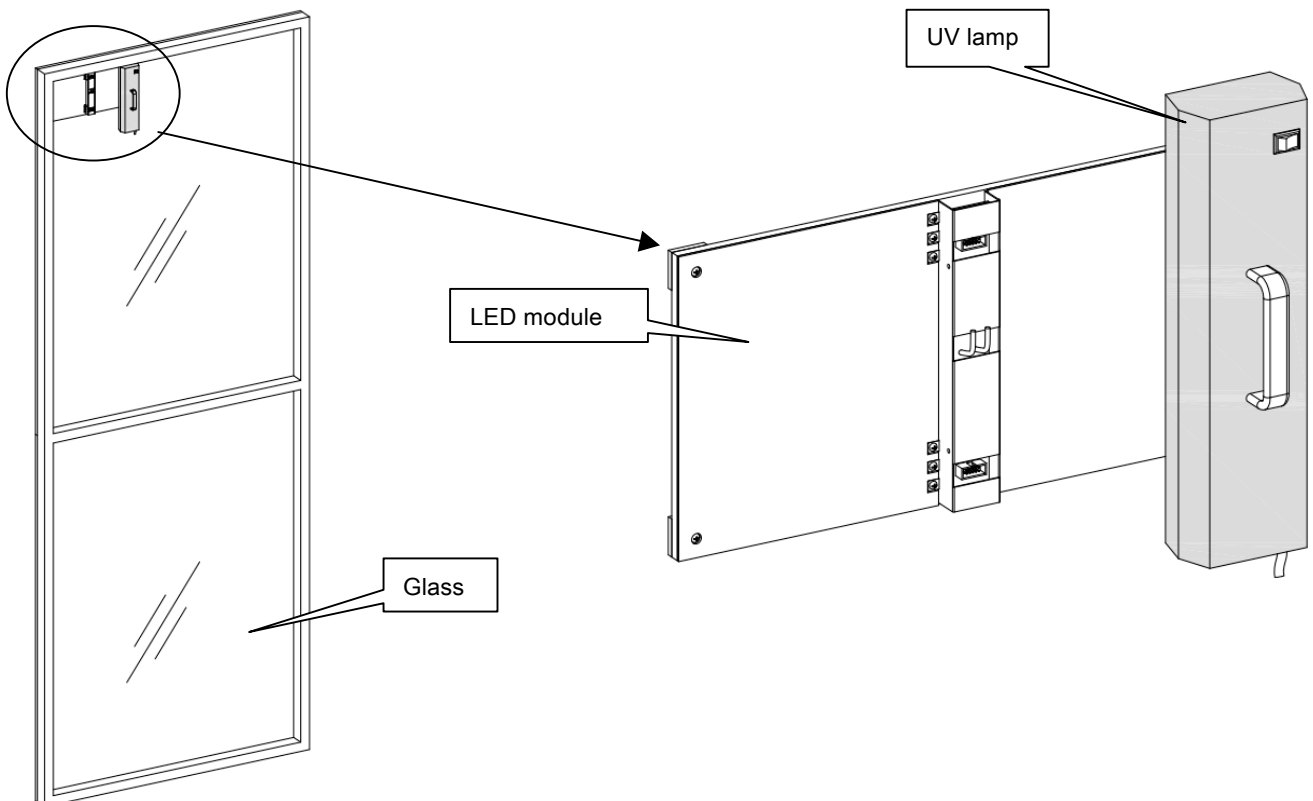
Step3. Coat UV glue on four connection plates. (Note: Make sure not overflow)



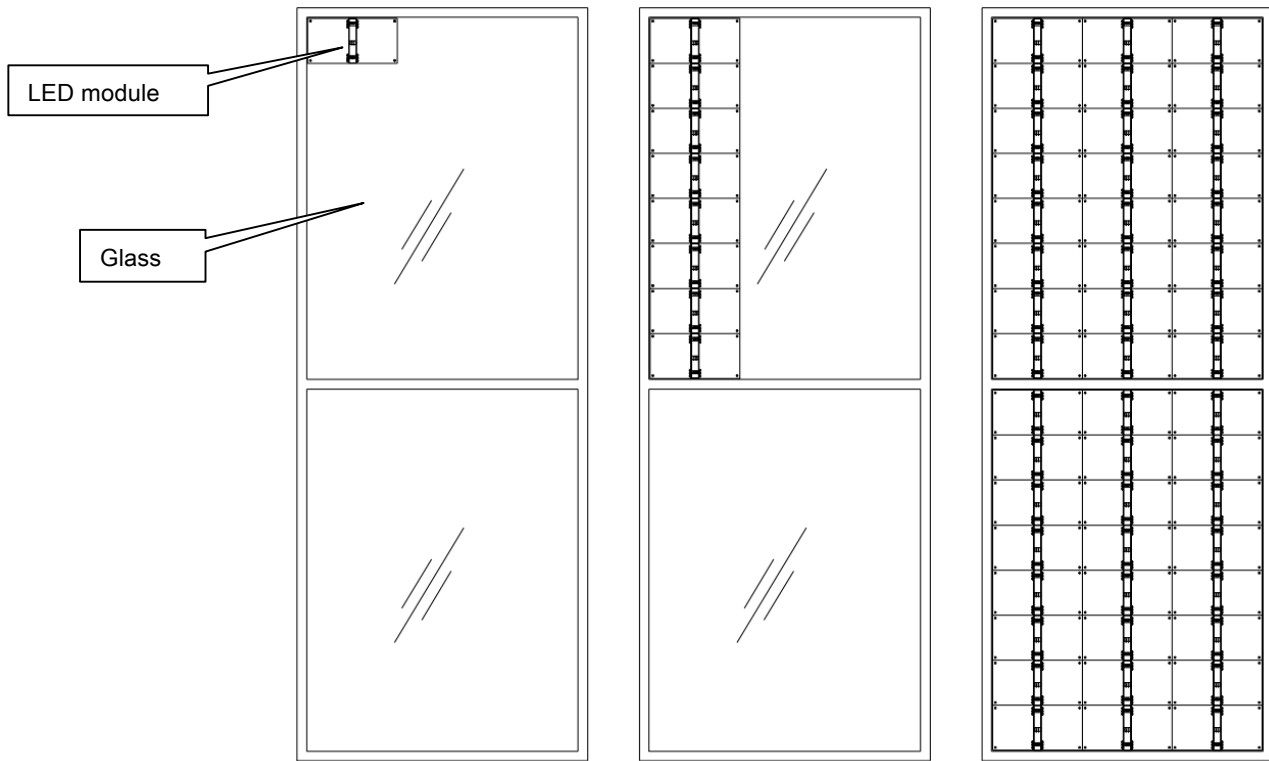
Step4. Position the module on the glass wall and holding. (Note : Position modules with arrow mark upward, and make sure no gap between glass and connection plates.)



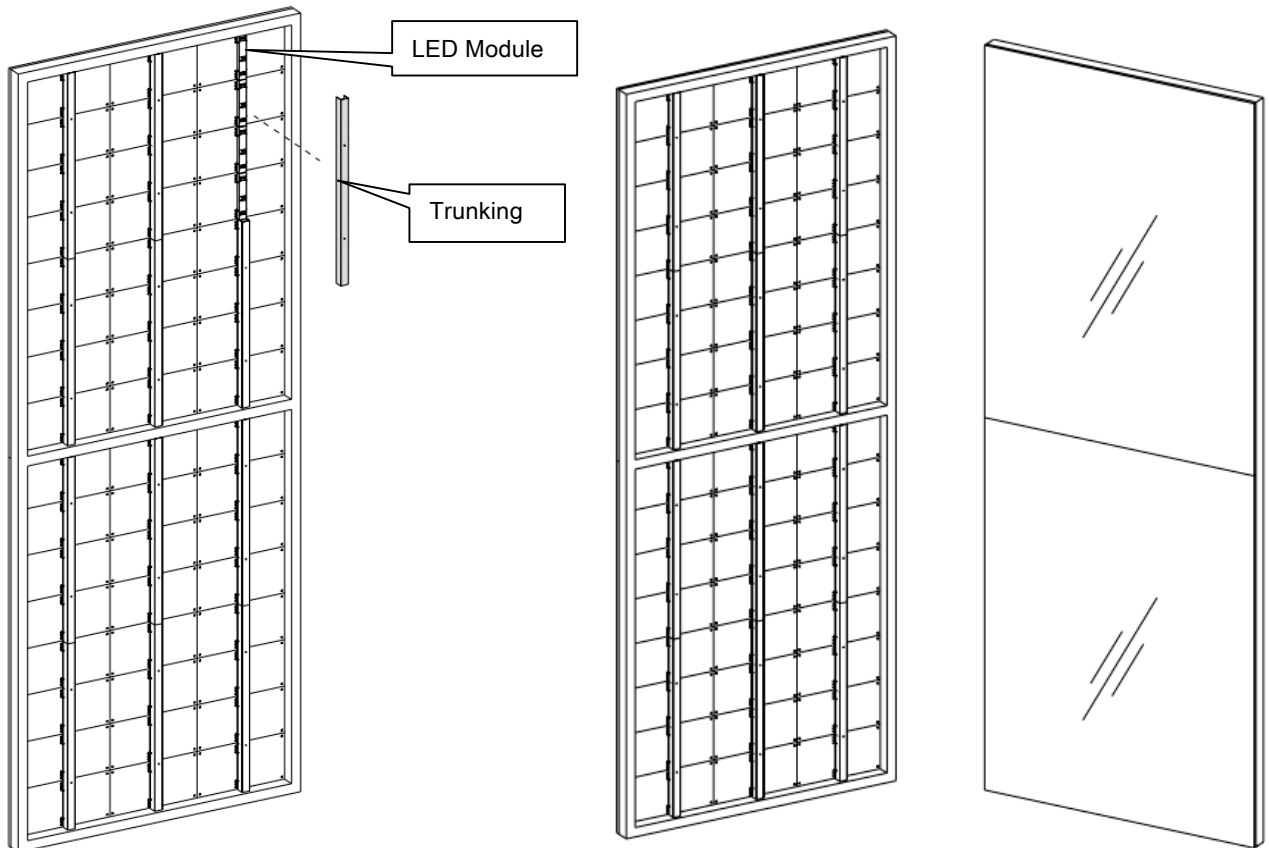
Step5. Open the UV lamp and shine the four connection plates coated with glue about 10 seconds from front or back to cure the glue.



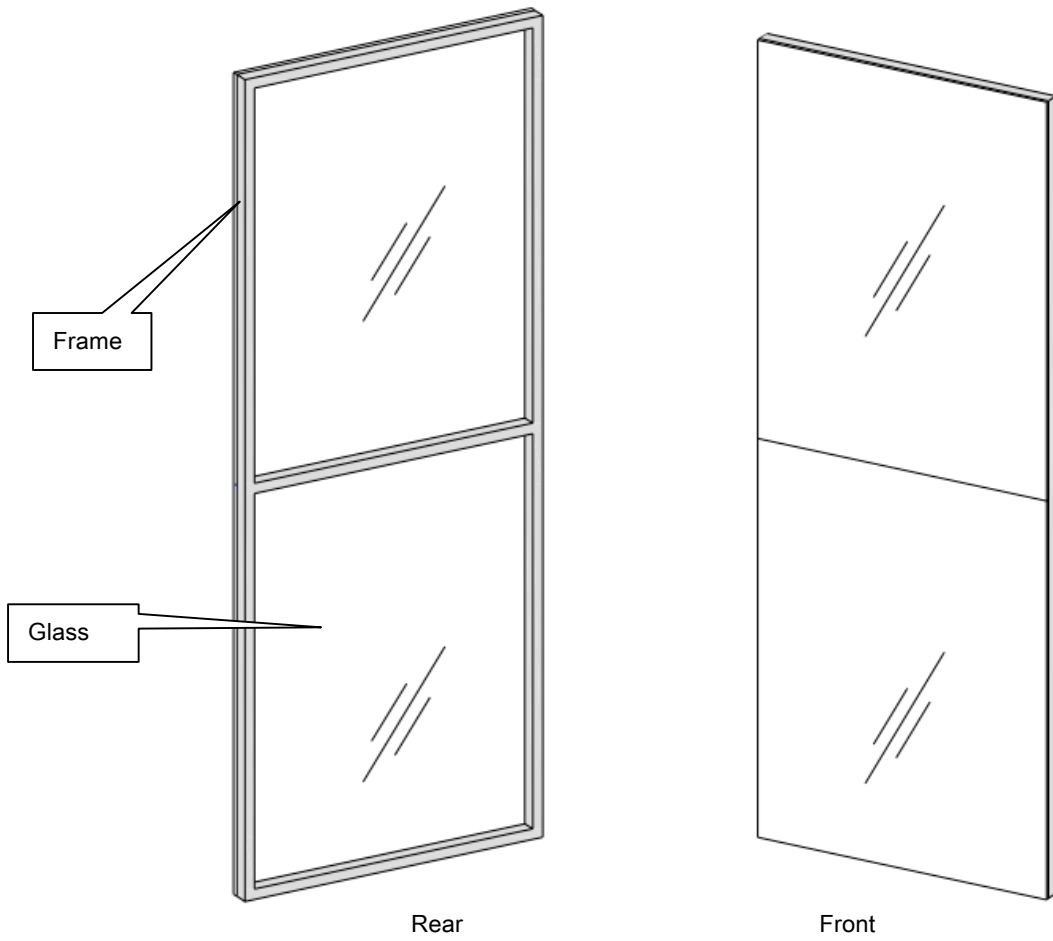
Step6. Stick all led modules on glass wall as following picture. (Note: Strictly follow step3~step5 when install each module and make it straight.)



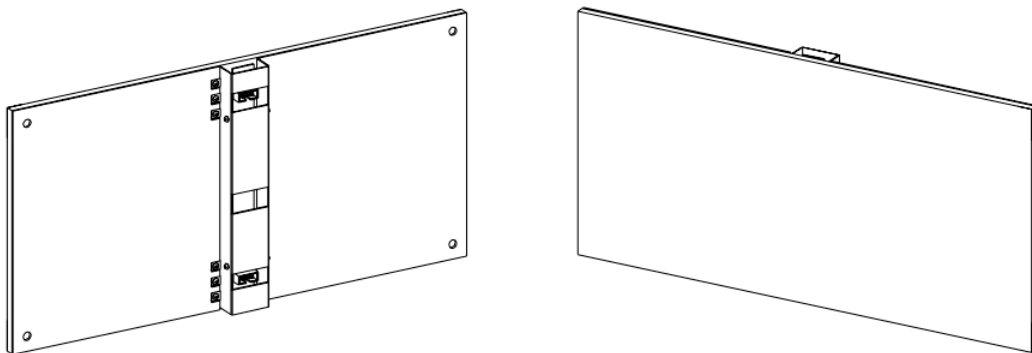
Step7. Connect the power cable and data cable, and then lock the trunking on led module with screw.



2. Installation II : Lock the module on the Glass wall frame seamlessly



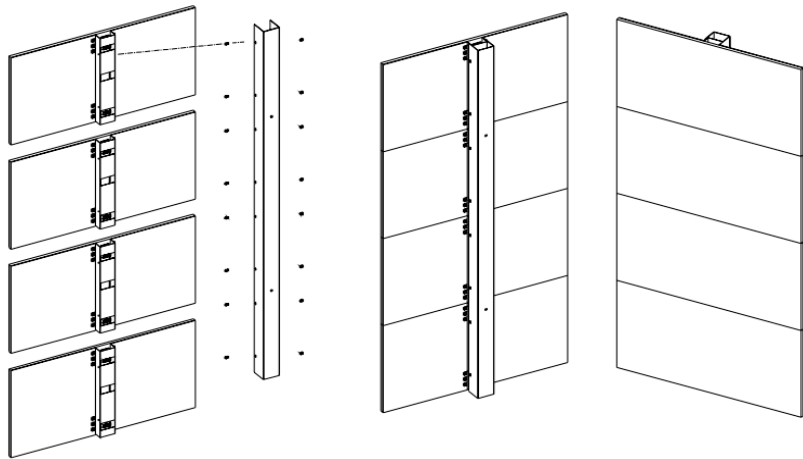
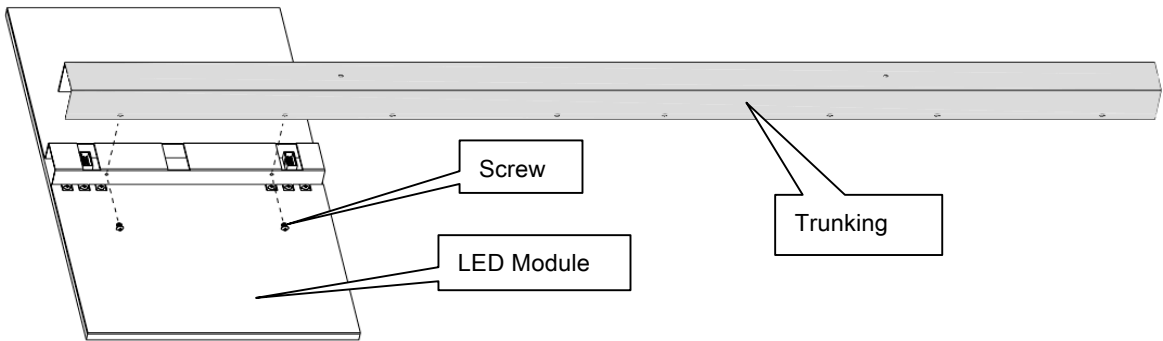
Glass wall before installing LED module



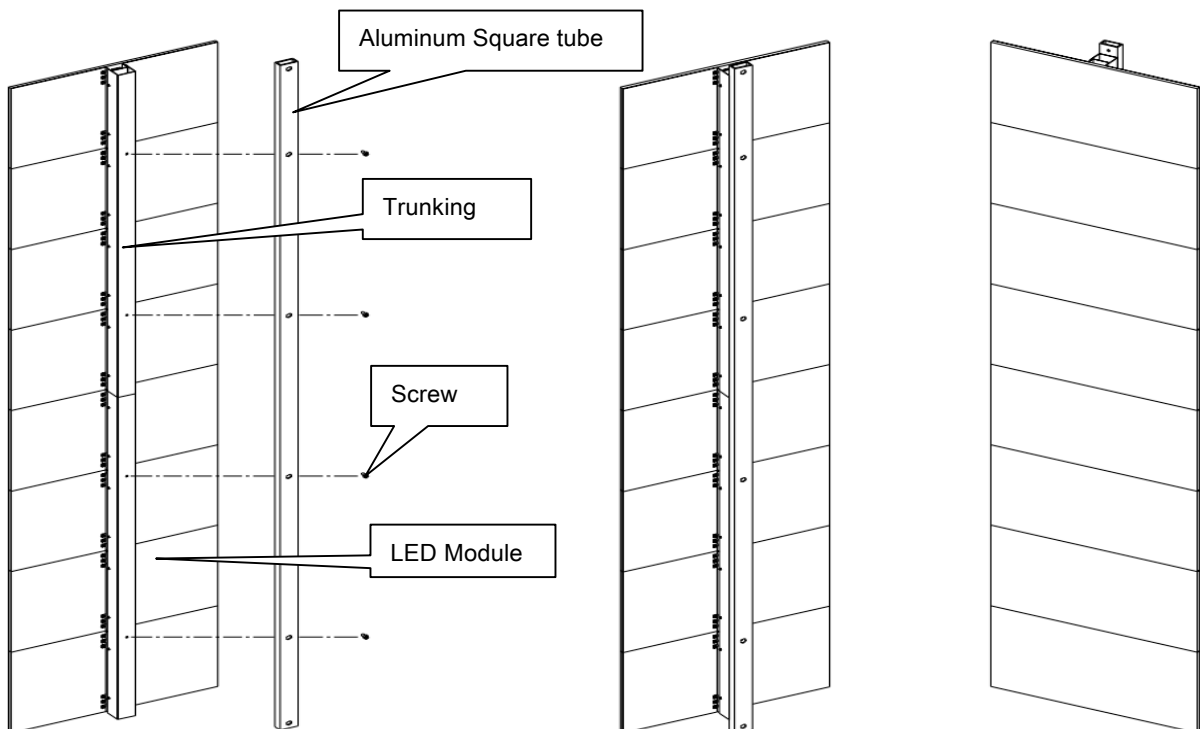
LED Module

Installation Sequence

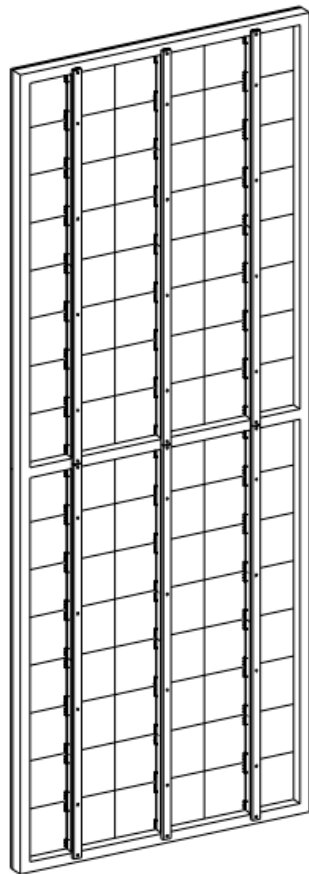
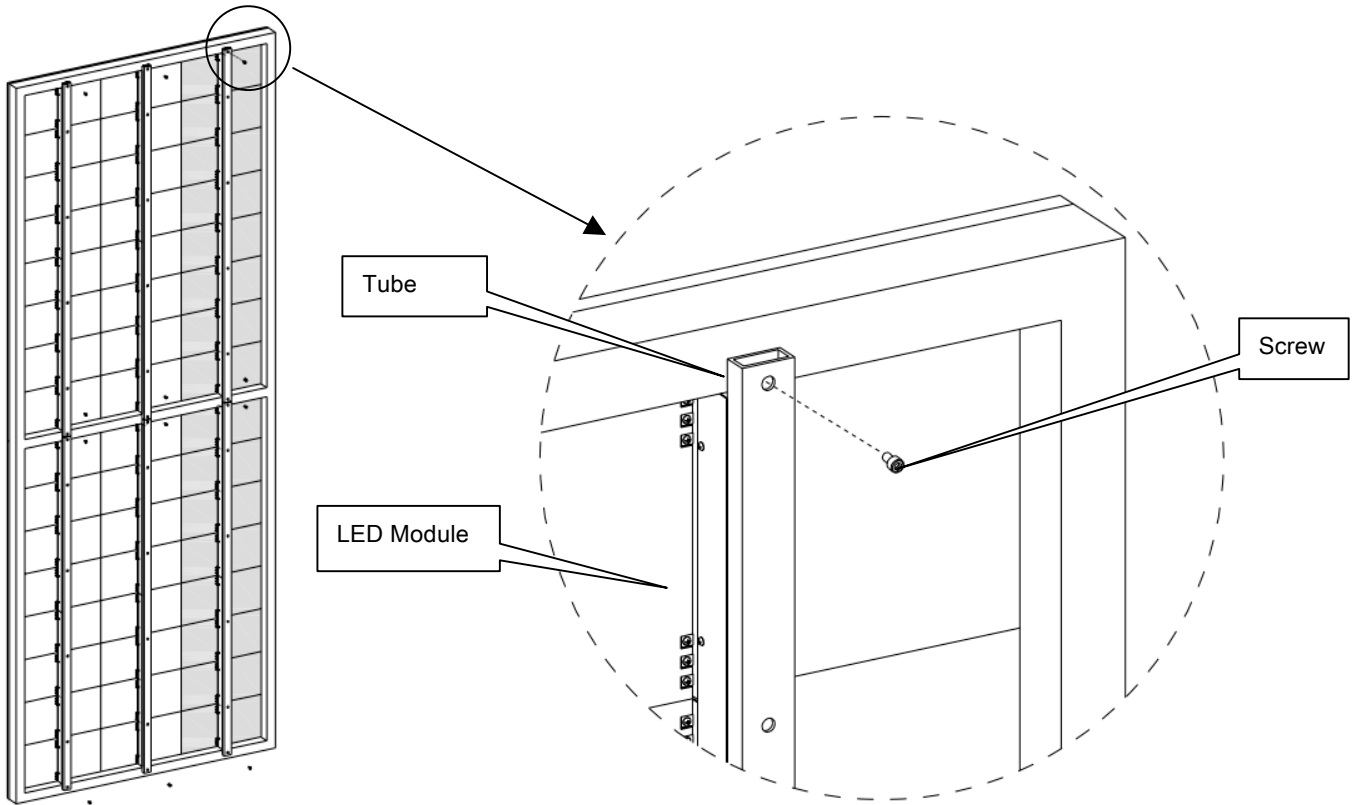
Step1. Lock the led module on the trunking with screw.



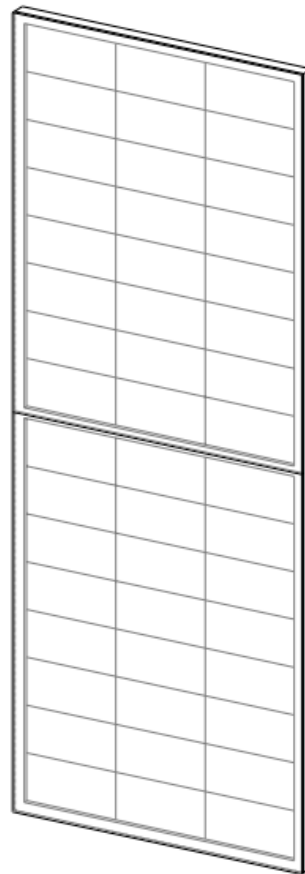
Step2. Lock the modules on trunking to the square tube.



Step3. Lock the ready modules on the glass wall frame.

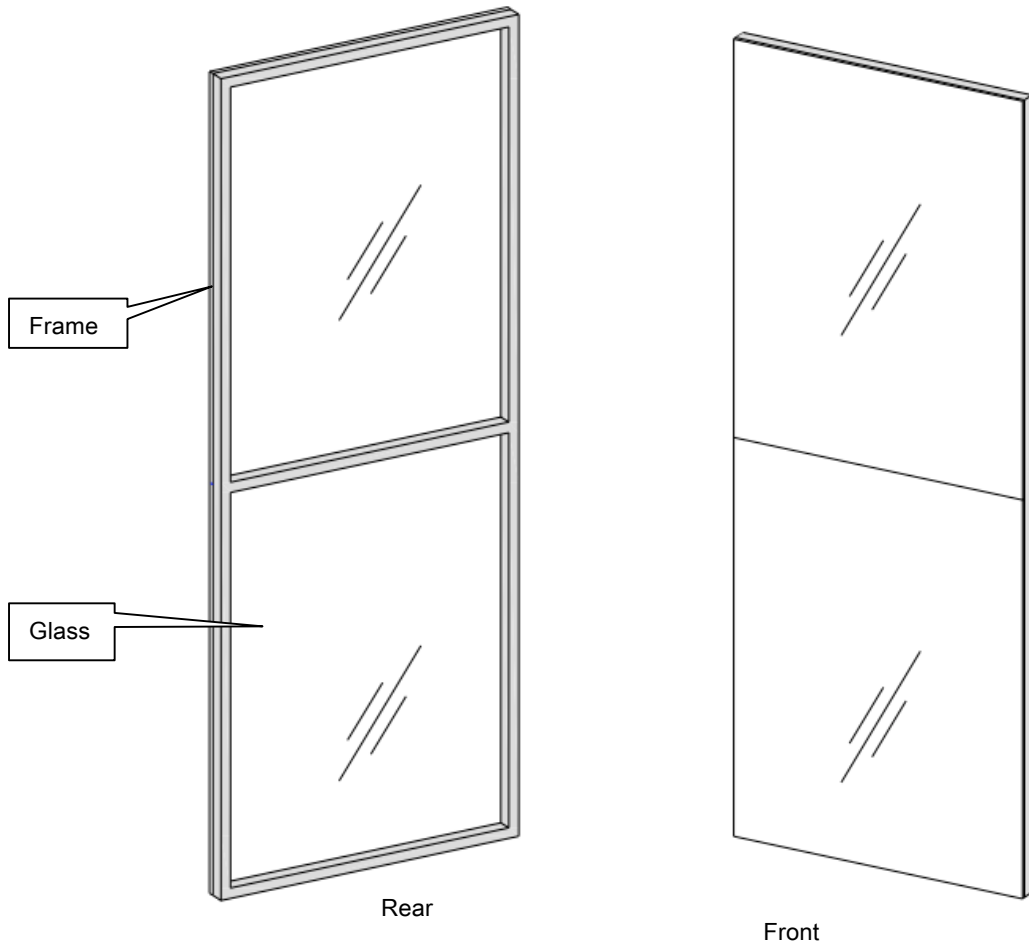


Rear

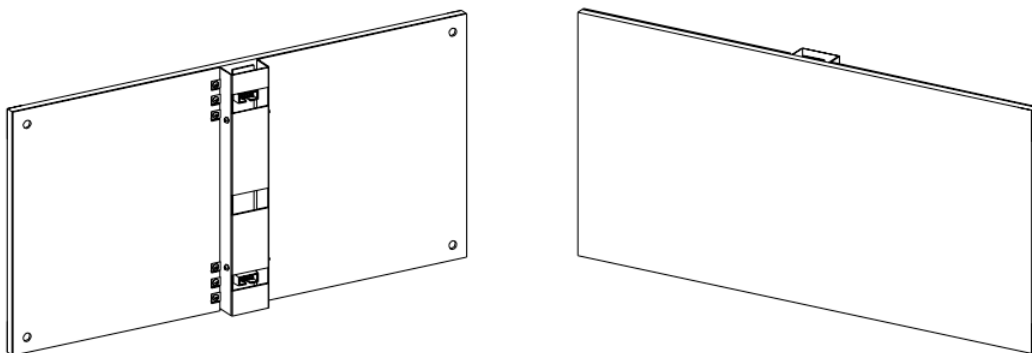


Front

3.Installation III : Lock LED module to the glass wall frame, keeping module back flush with the frame.



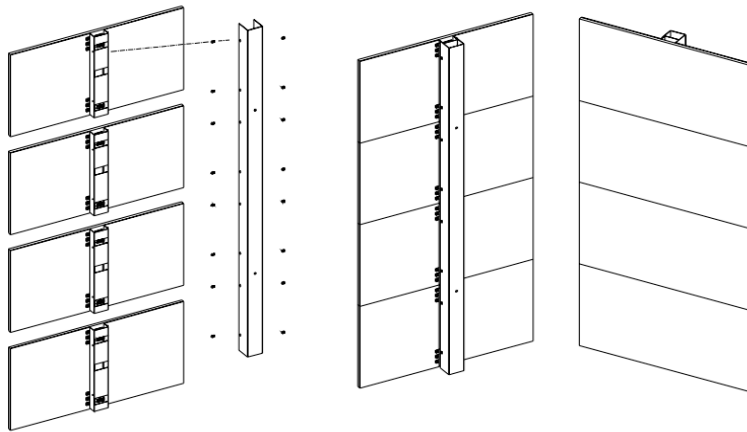
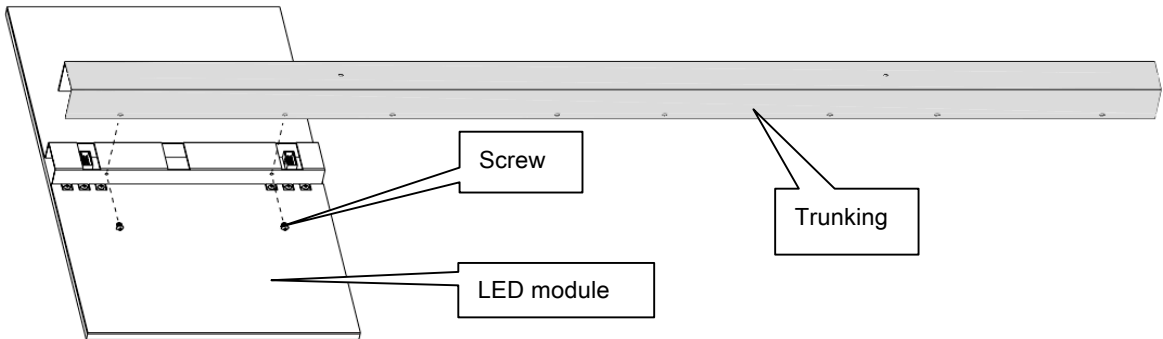
Glass wall before installing LED module



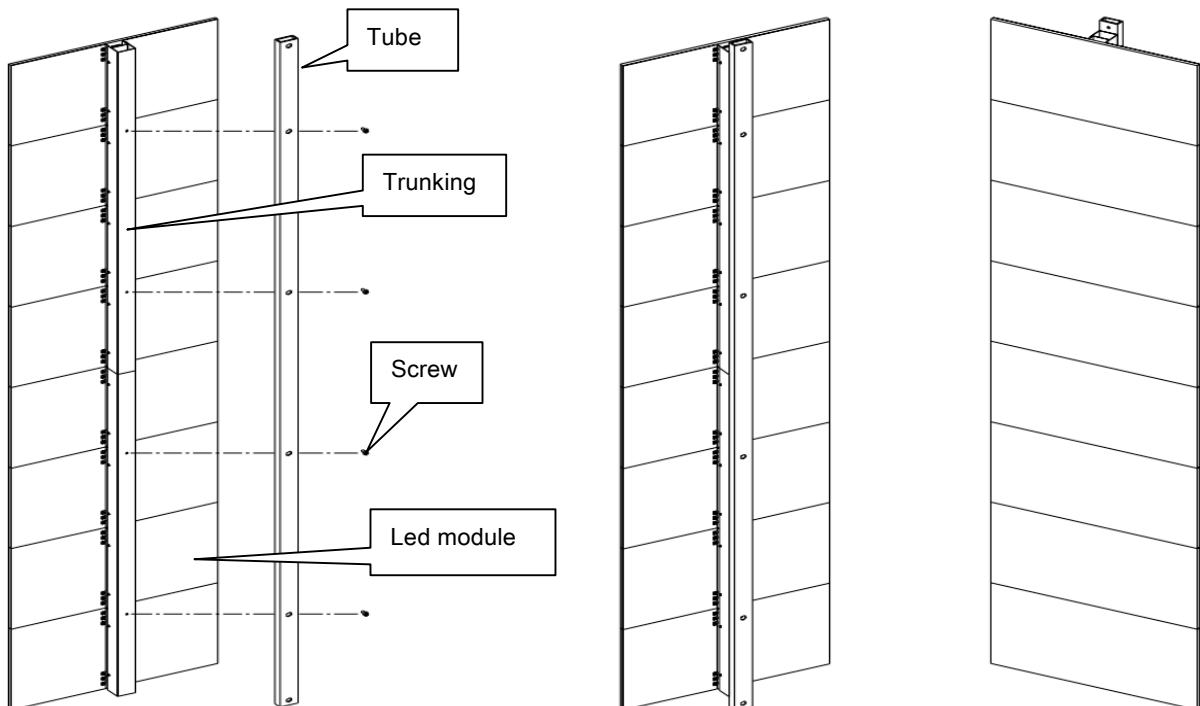
LED Module

Installation Sequence

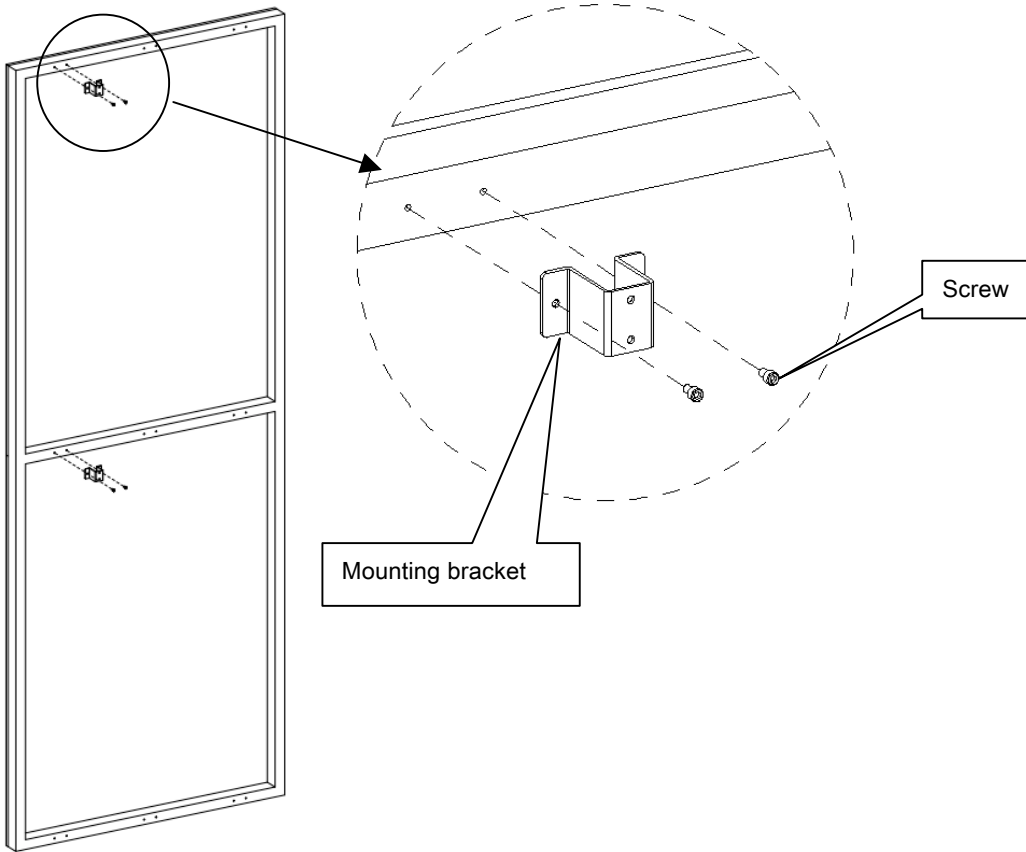
Step1. Lock module to the trunking with screw, making it as part A.



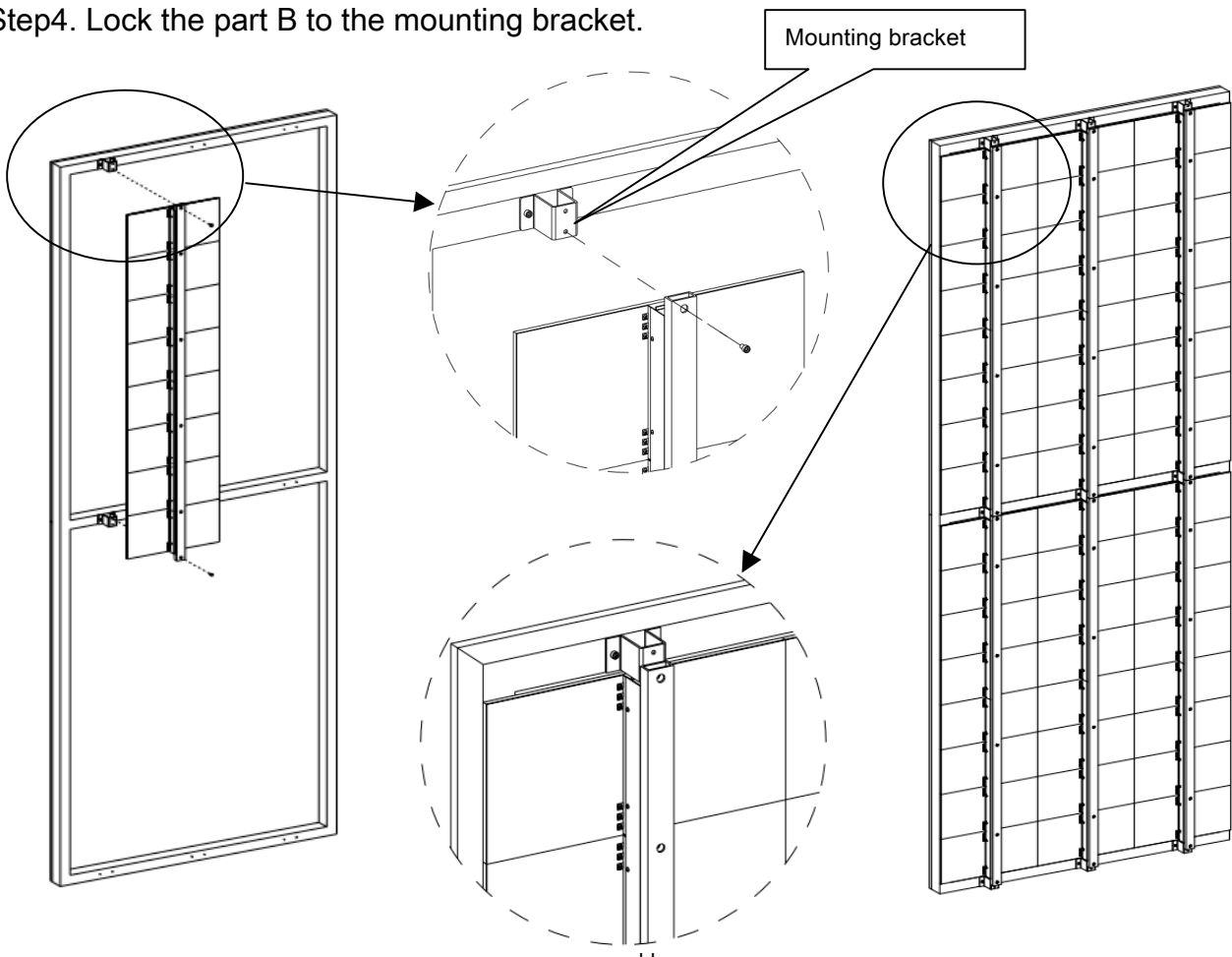
Step2. Lock the part A trunking to the Aluminum tube, making it part B.



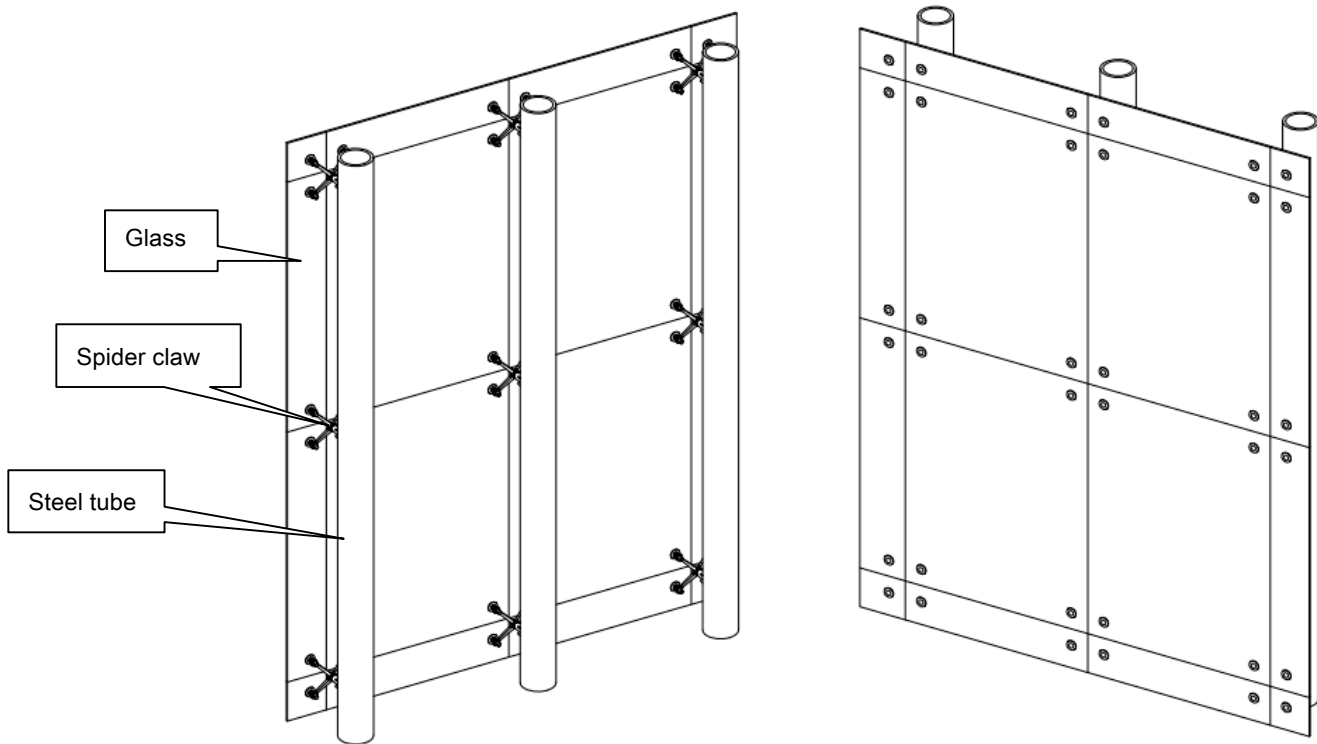
Step3. Lock the mounting bracket to the glass wall frame with screw.



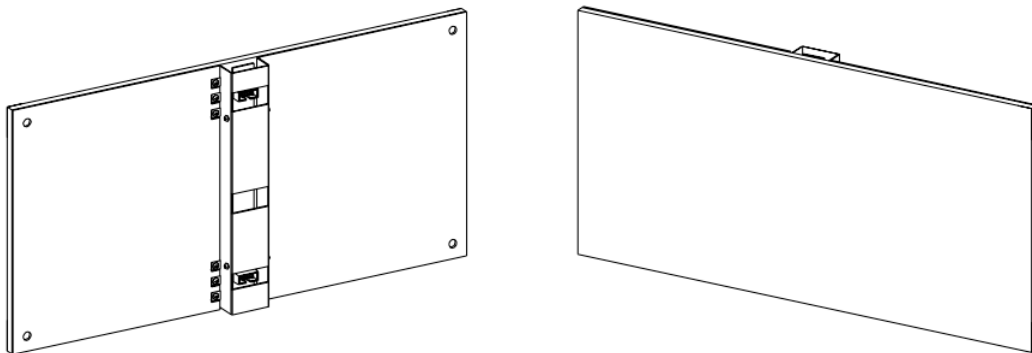
Step4. Lock the part B to the mounting bracket.



4.Installation IV : Lock led screen on spider claws of glass wall.



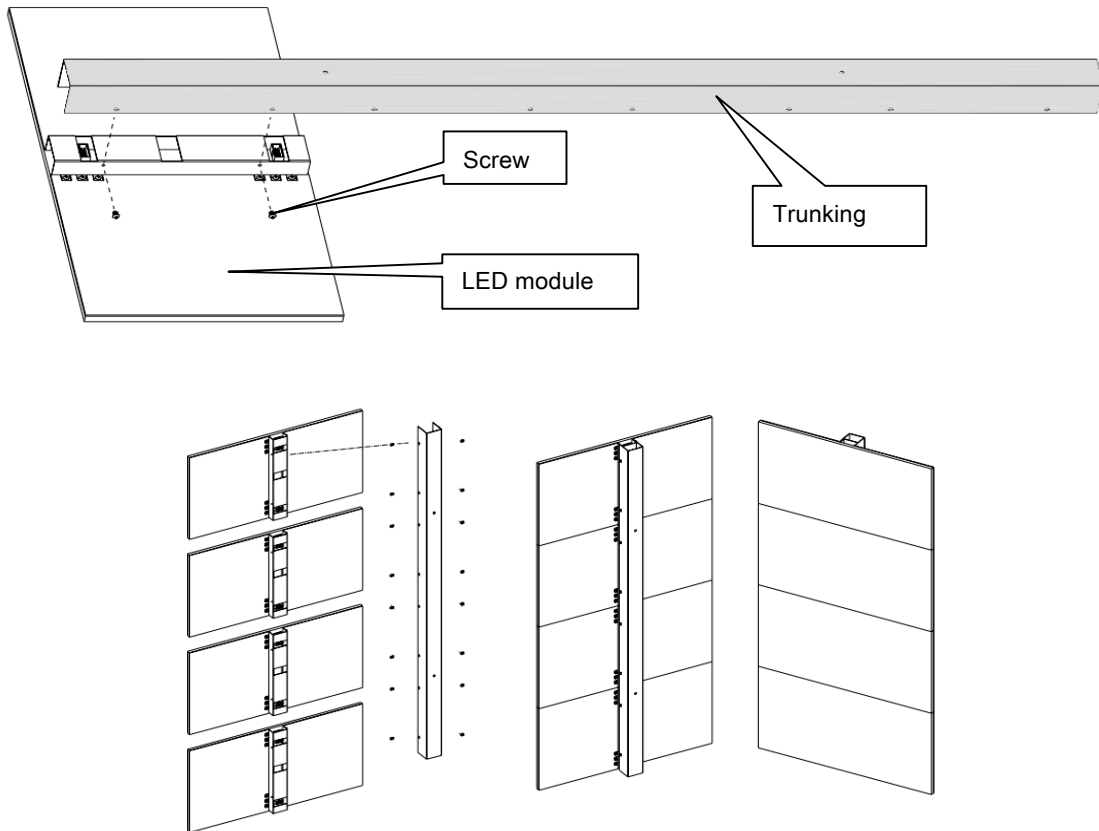
Glass wall before installing led module



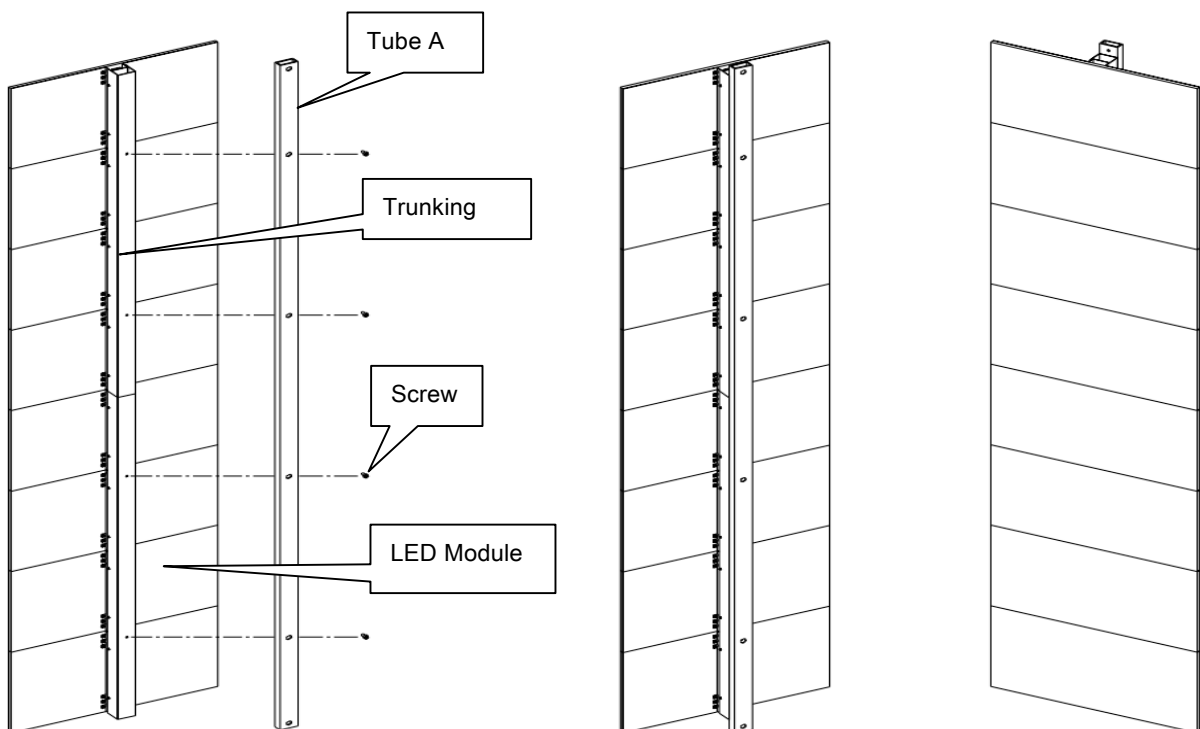
LED module

Installation Sequence

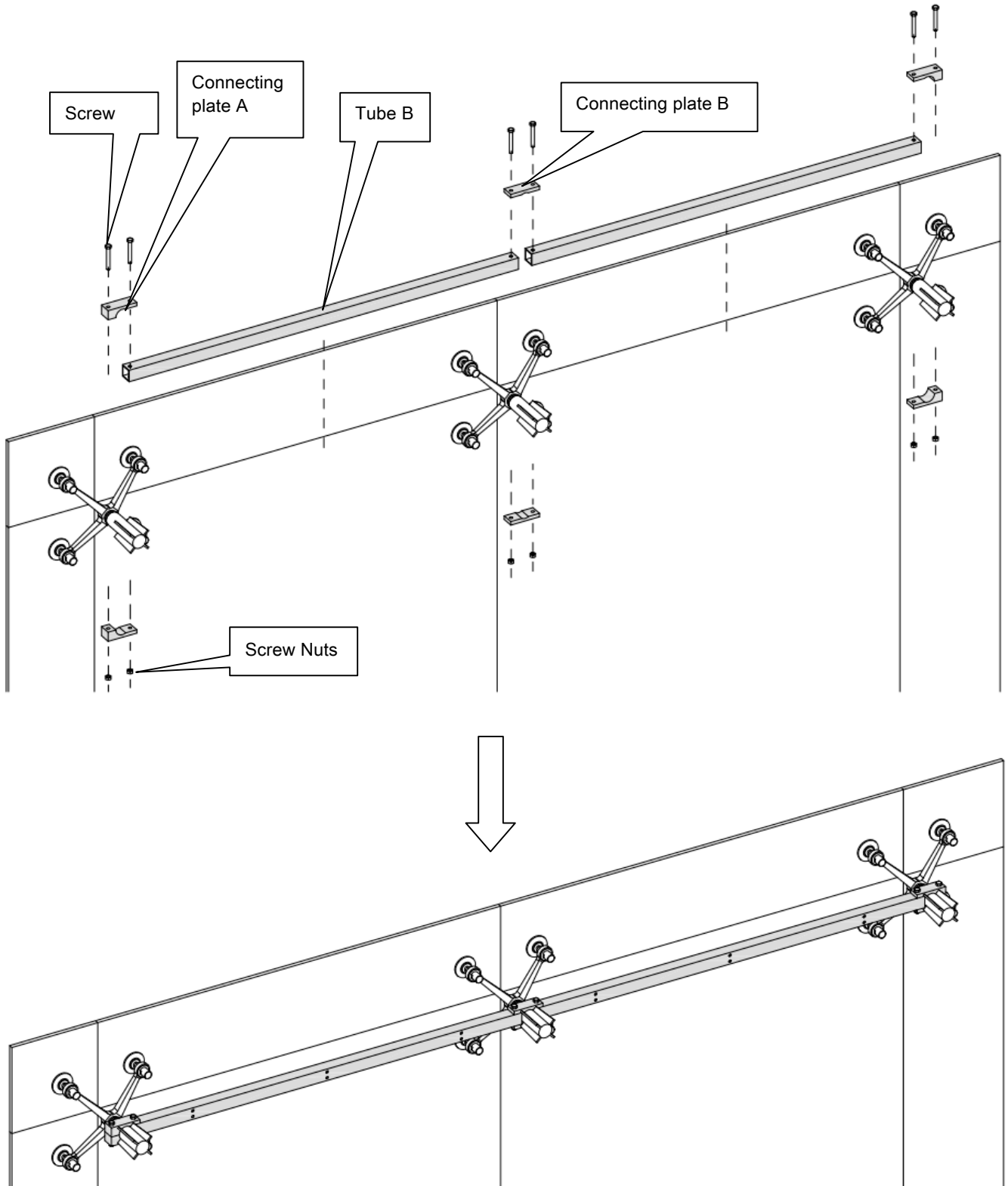
Step1. Lock led modules on trunking with screw, making it as part A.



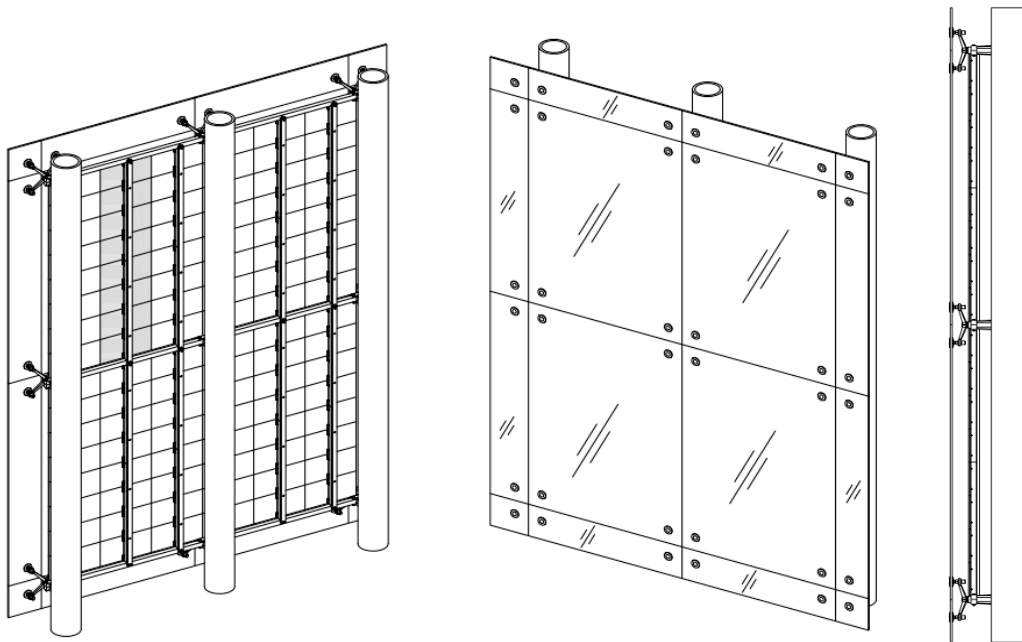
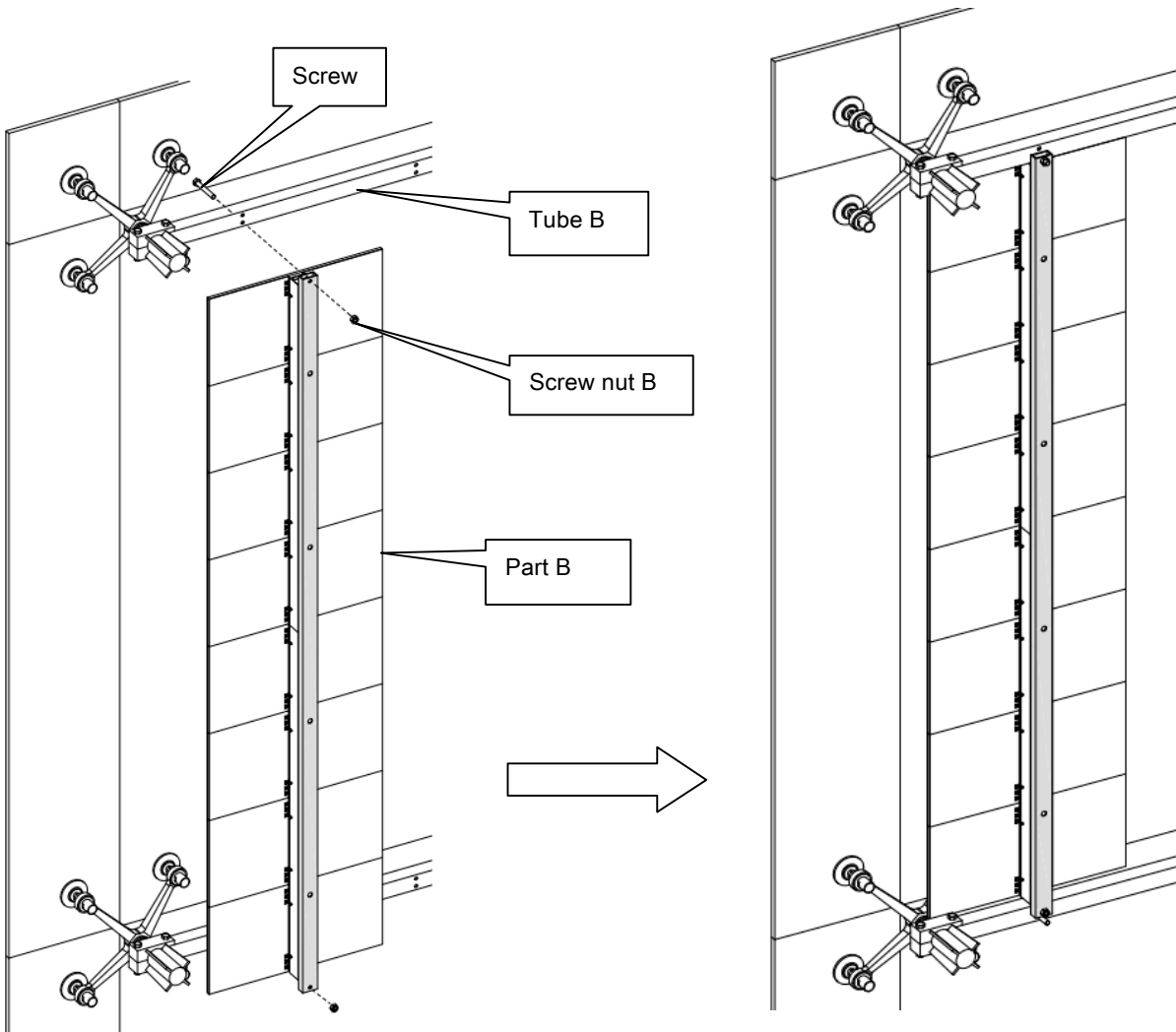
Step2. Lock the square tube to trunking of part A, making it as part B.



Step3.Lock the Square tube B on the spider claw with screws, nuts, connecting plate A and B as following drawing. (Here hiding the circular steel for a clear installation view.)



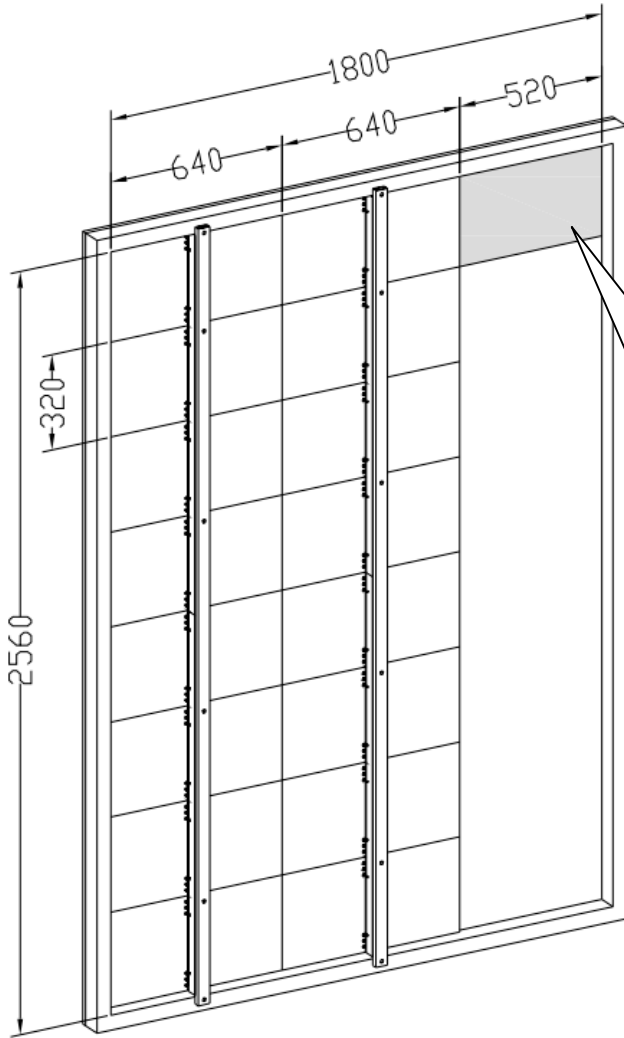
Step4. Lock the Part B module to the tube B as following show.



Glass wall installed LED Module

5. Customize led module according to glass size

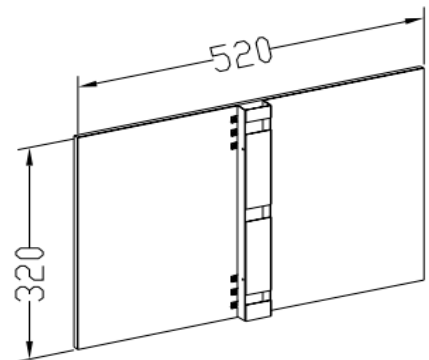
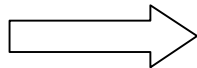
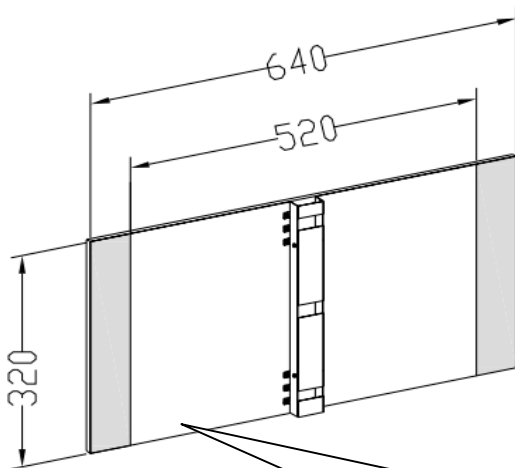
(Tailor made module for large area Installation)



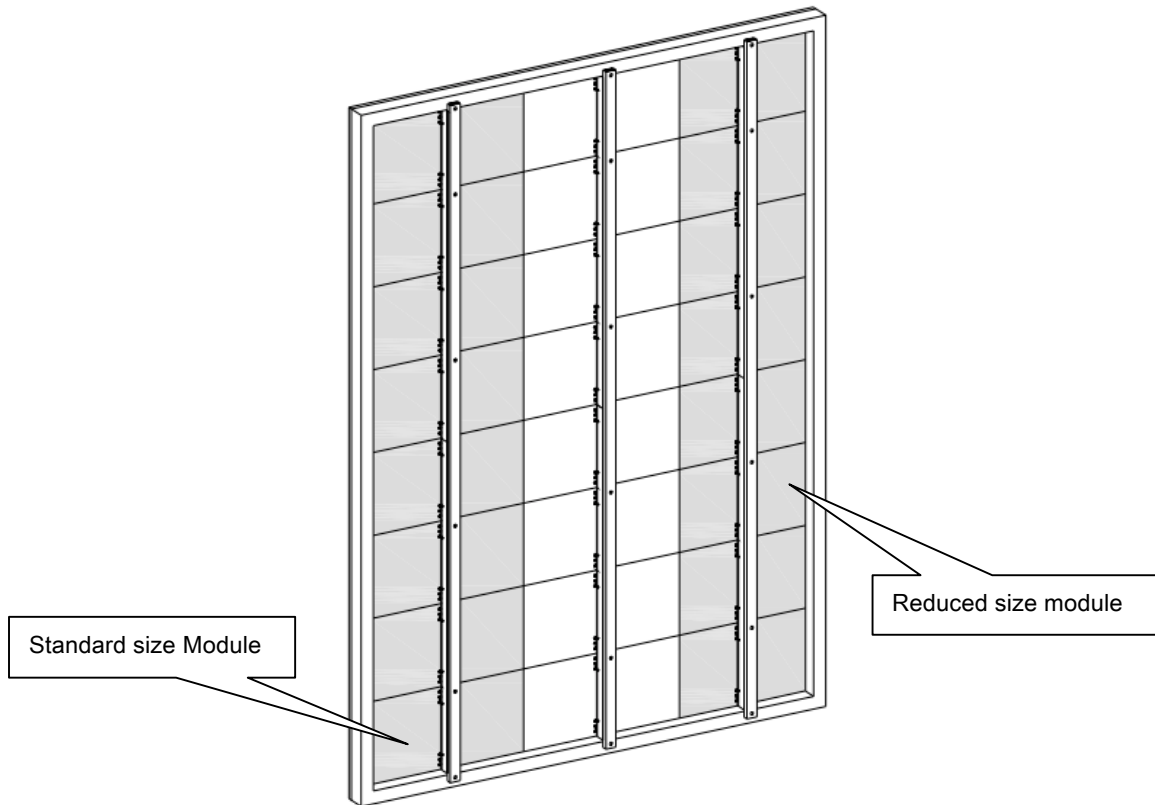
Example:
Glass size: W1800x H2560mm,
P20 LED module size: W640xH320mm

Glass H2560mm can install 8pcs H320mm P20 modules ($320 \times 8 = 2560$);
Glass wide 1800mm can install 2pcs 640mm P20 module.

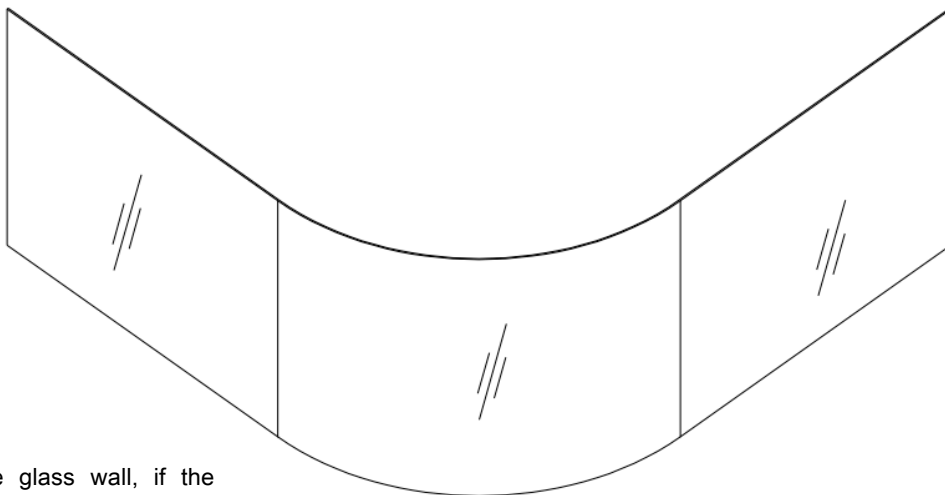
The left space: $1800 - 640 \times 2 = 520$ mm,
P20 LED Standard module can be made as W520xH320mm as following drawing.



Cut some pixels from end of module , Module size 640X320mm reduce to 520X320mm to fit for the glass.

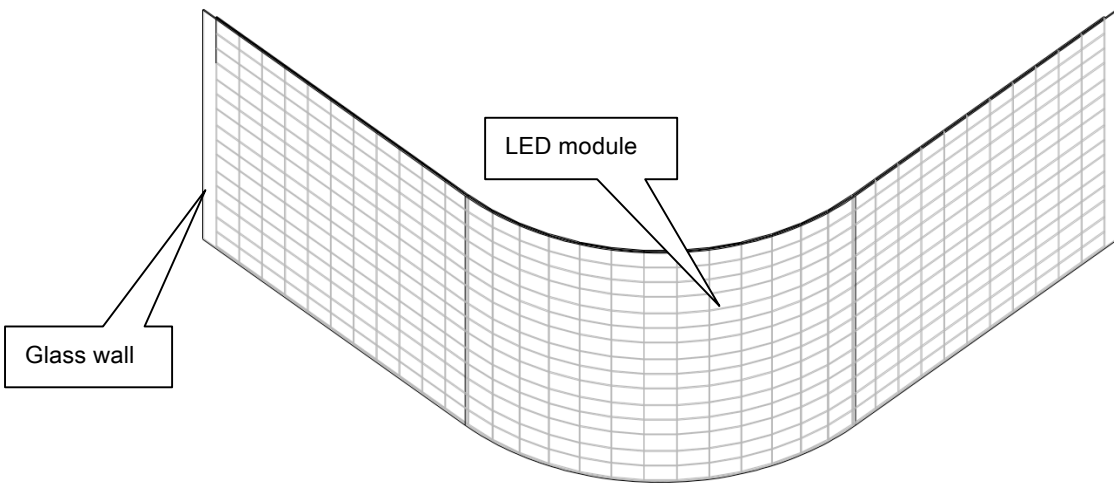
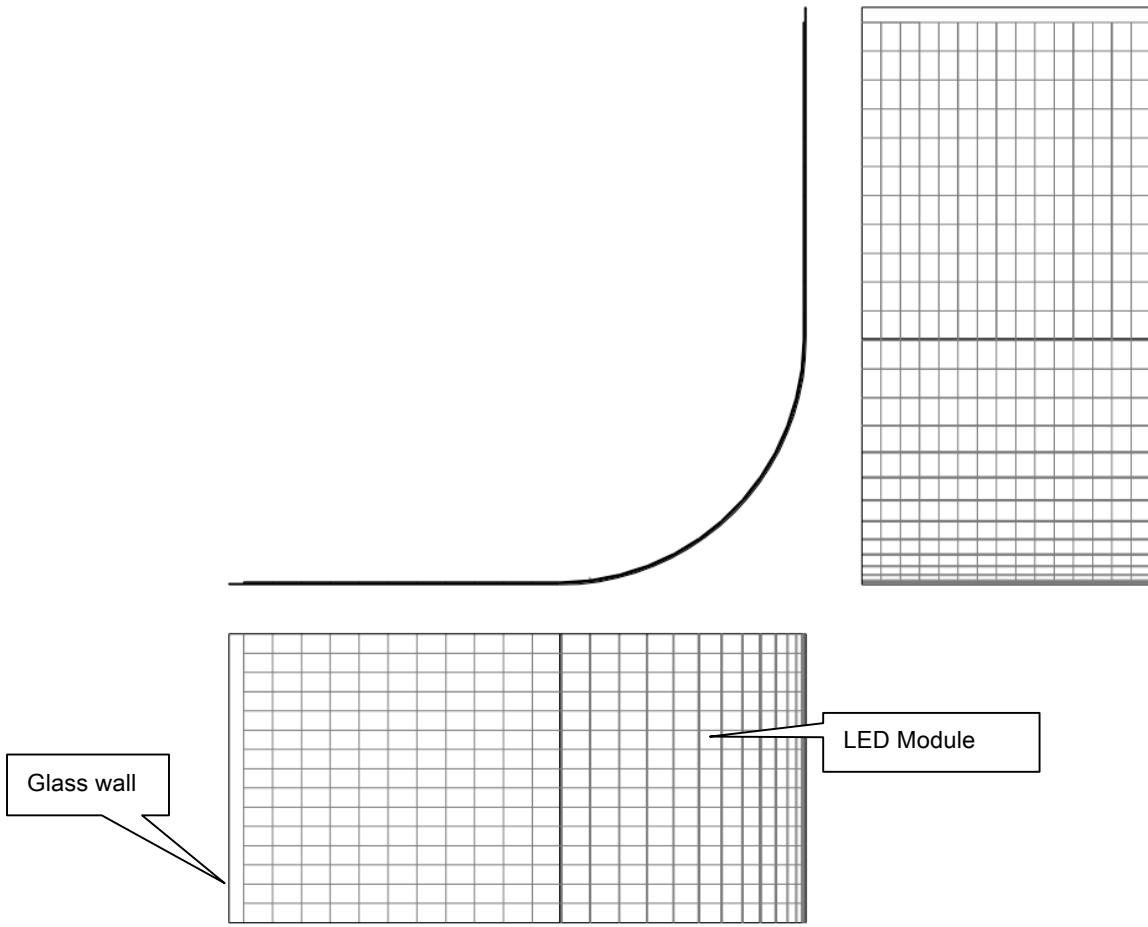


6. Install led module on Curve glass wall



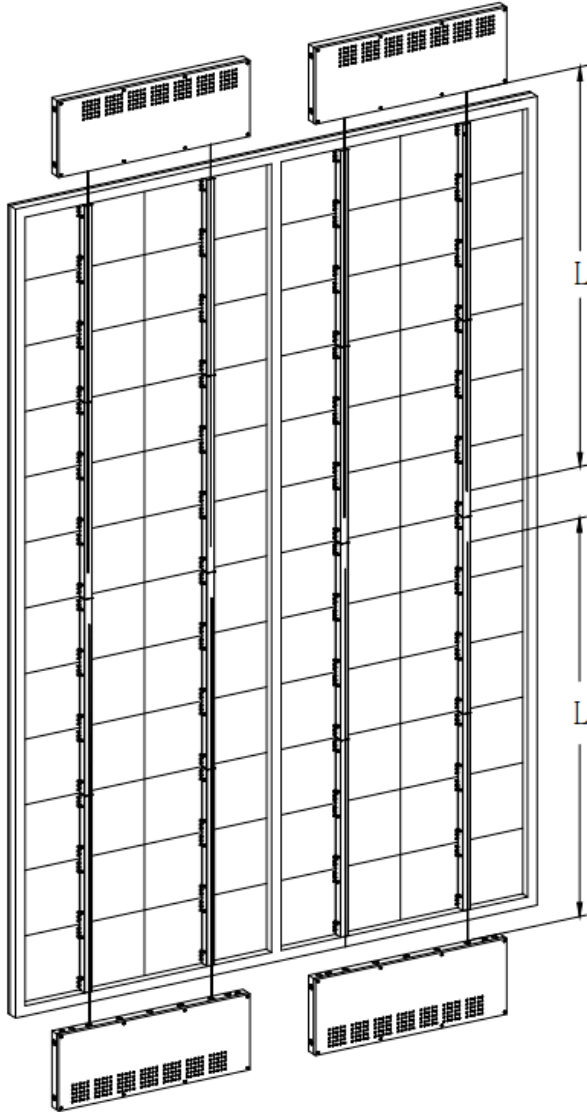
For the curve glass wall, if the radian is sufficient, the module can be spliced to be curve display.

Curve glass wall screen



Power Box Solution-A

AC220V/AC110V to DC5V power box

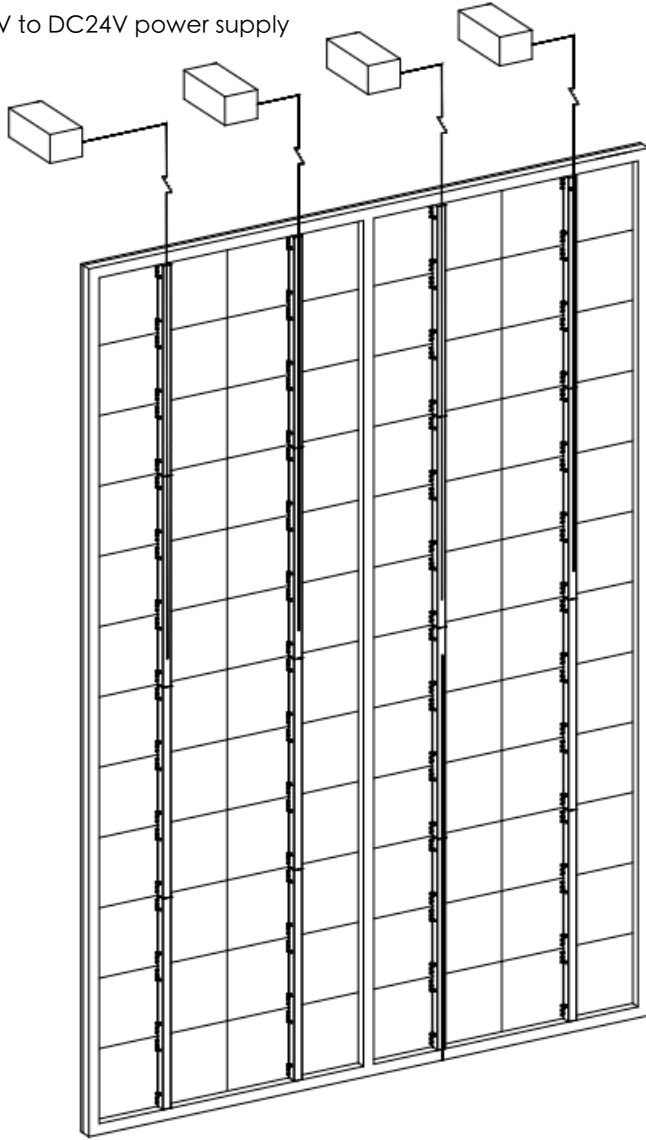


If adopt AC220V/AC110V to DC5V power box solution, distance between power box and screen should be within 3m. The power box can be fixed on the ceiling or on floor.

Power box installation space should be taken into consideration when design screen installation proposal.

Power Box Solution-B

AC220V to DC24V power supply



Adopt AC220V to DC24V, DC24V to DC5V power supply solution, AC220V to DC24V power box can be 20m----30m away from screen. DC24V to DC5V power supply install back of module.

This installation is neat and noiseless, only the cost is little bit higher.